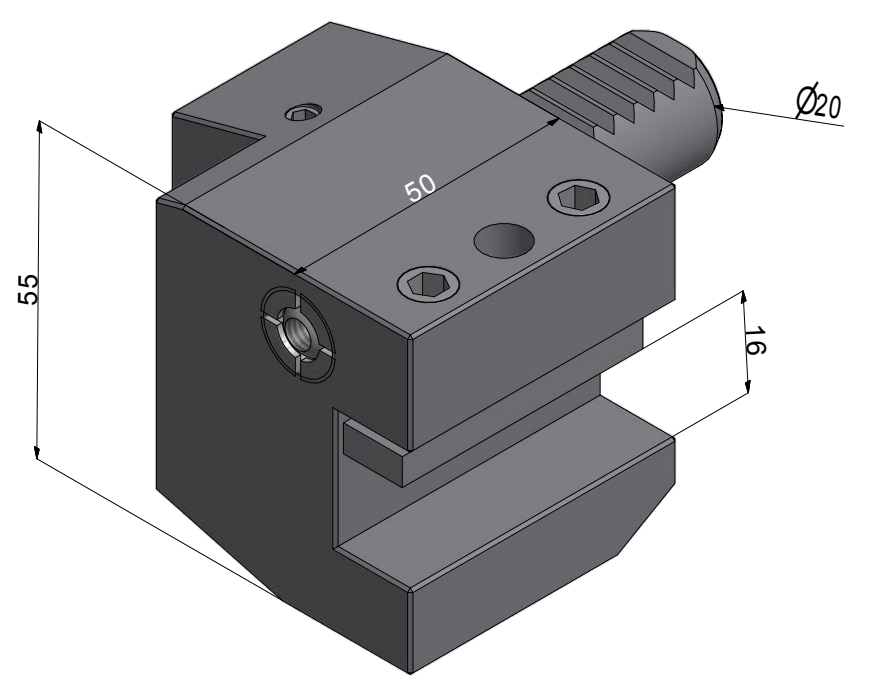
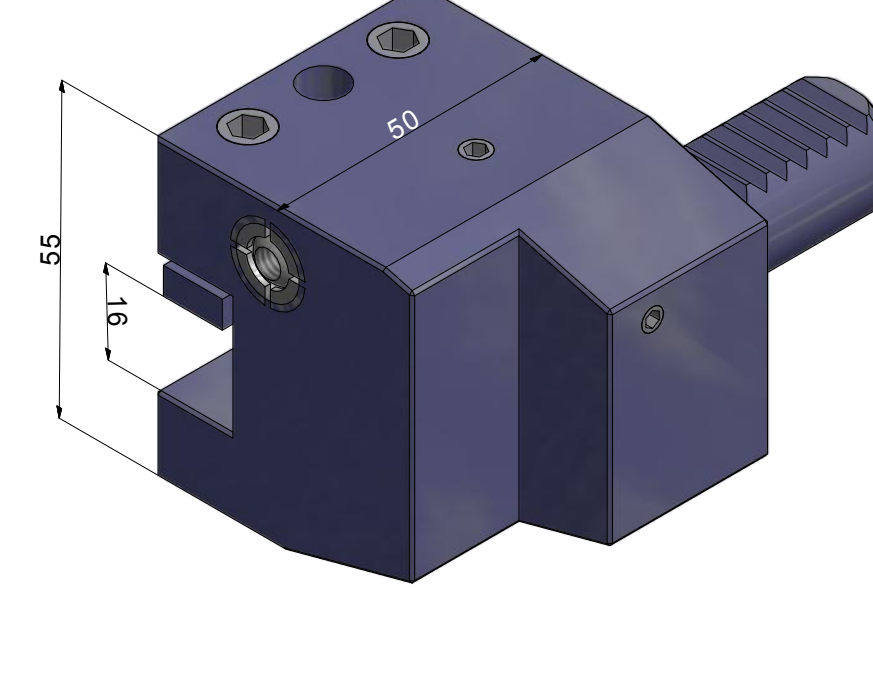
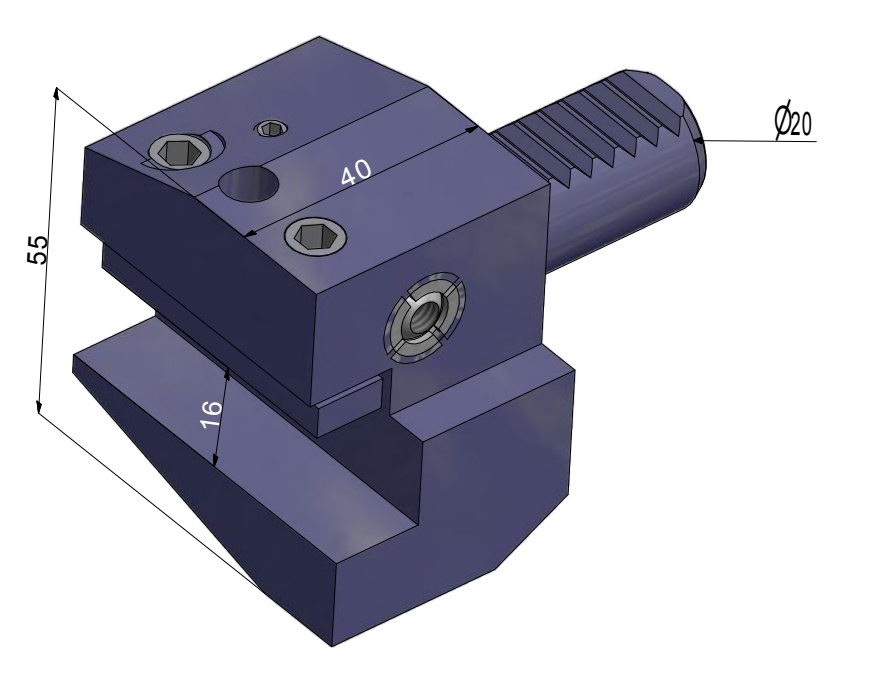
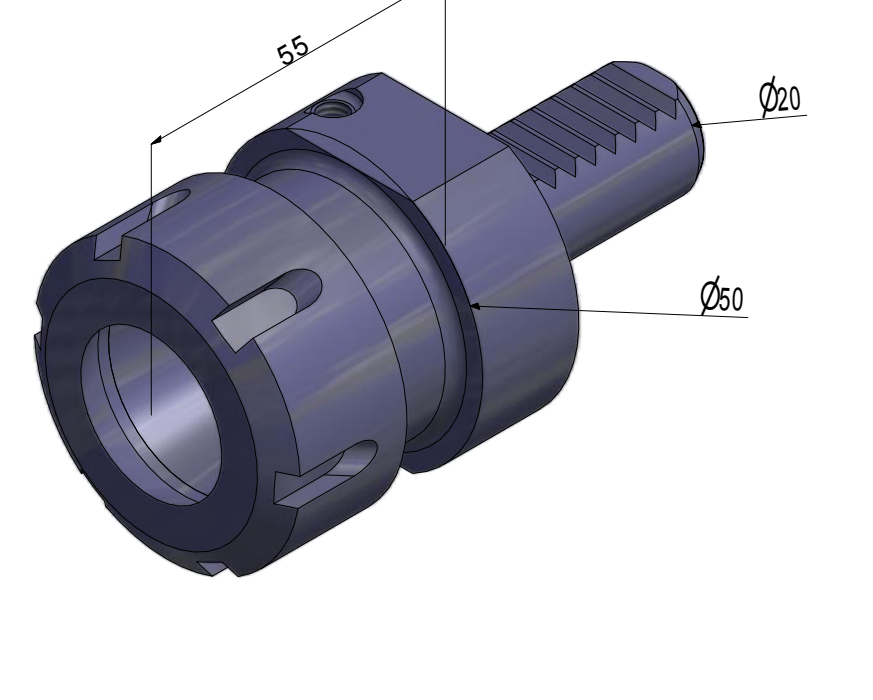
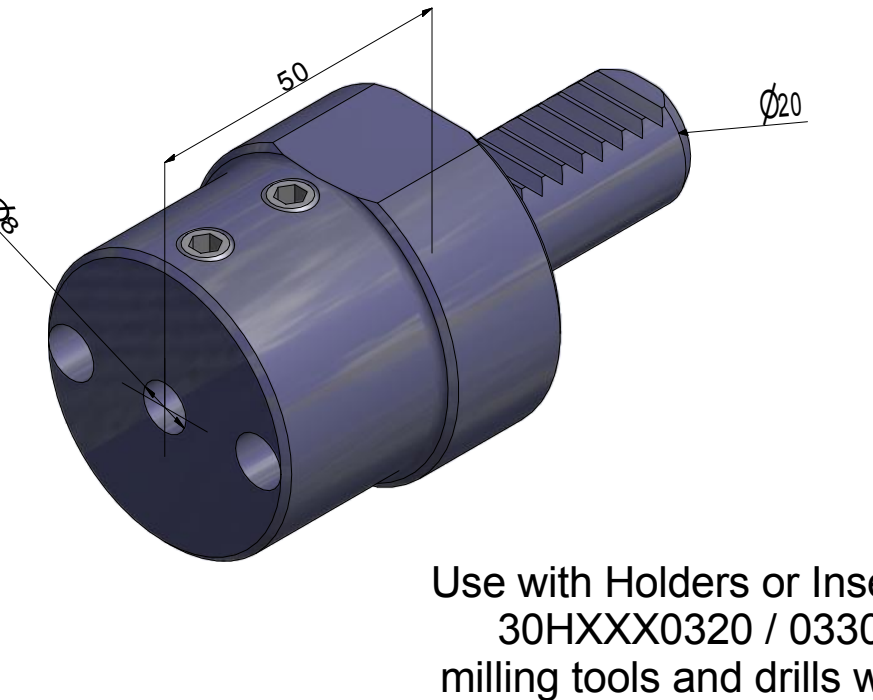
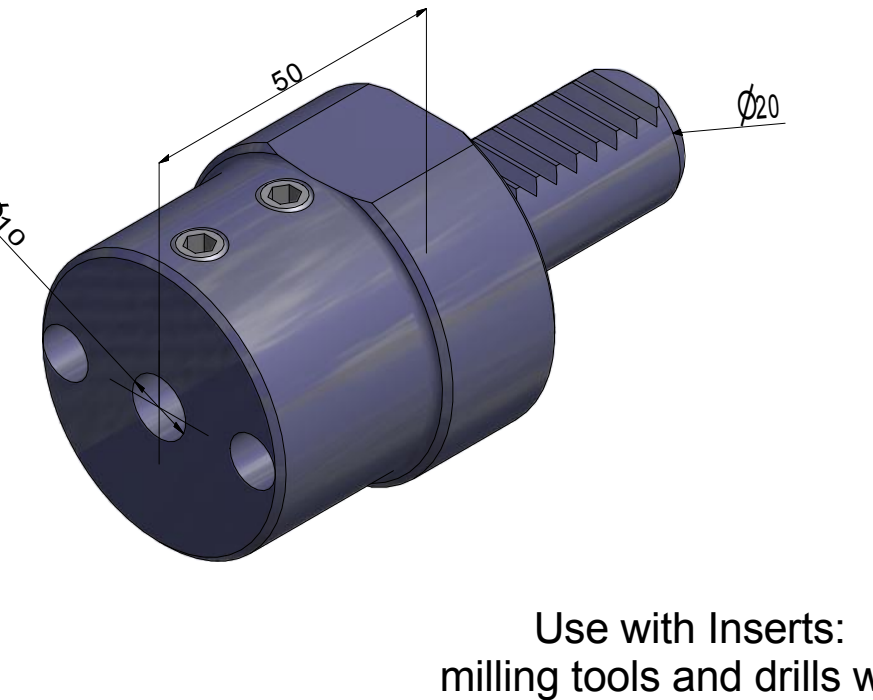
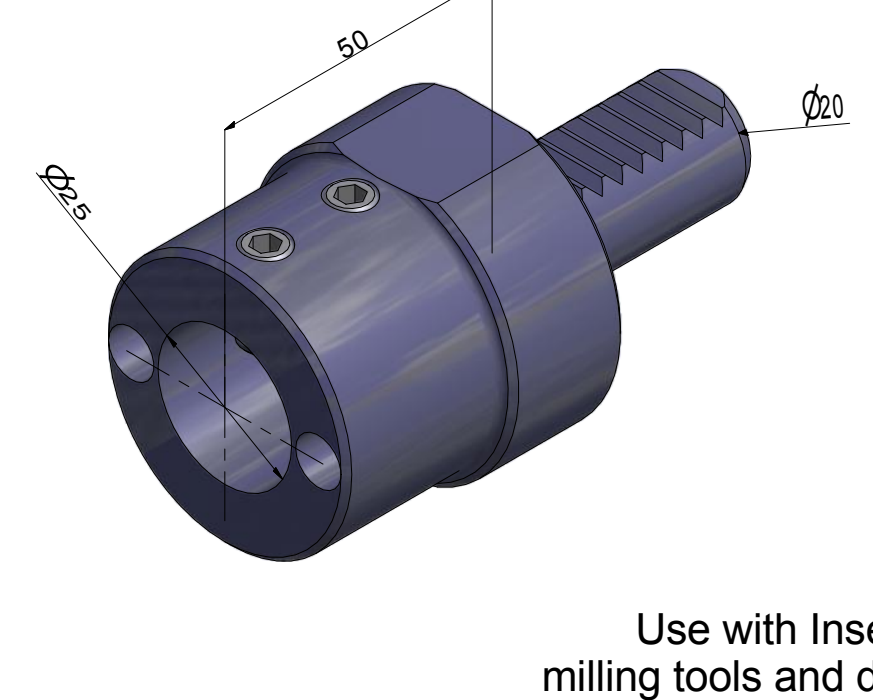
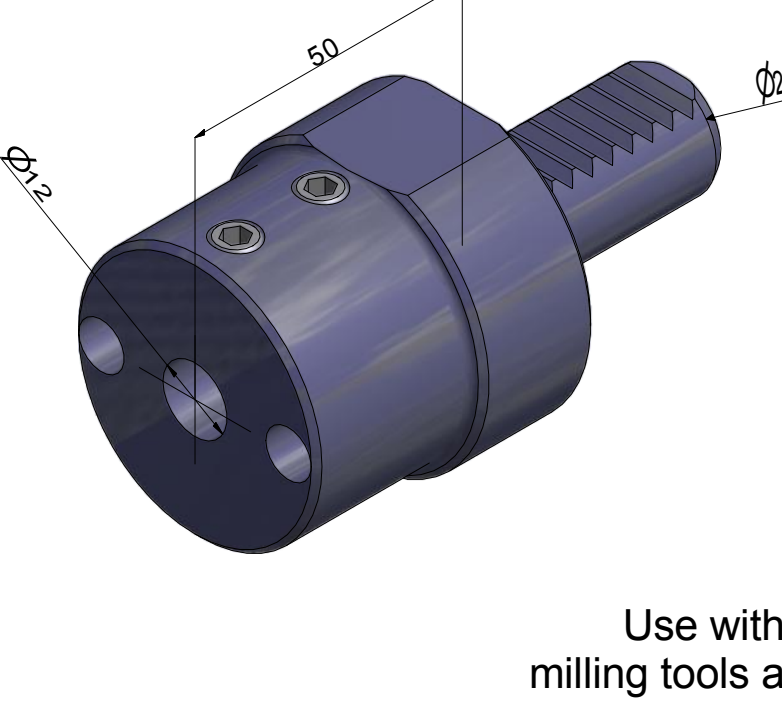
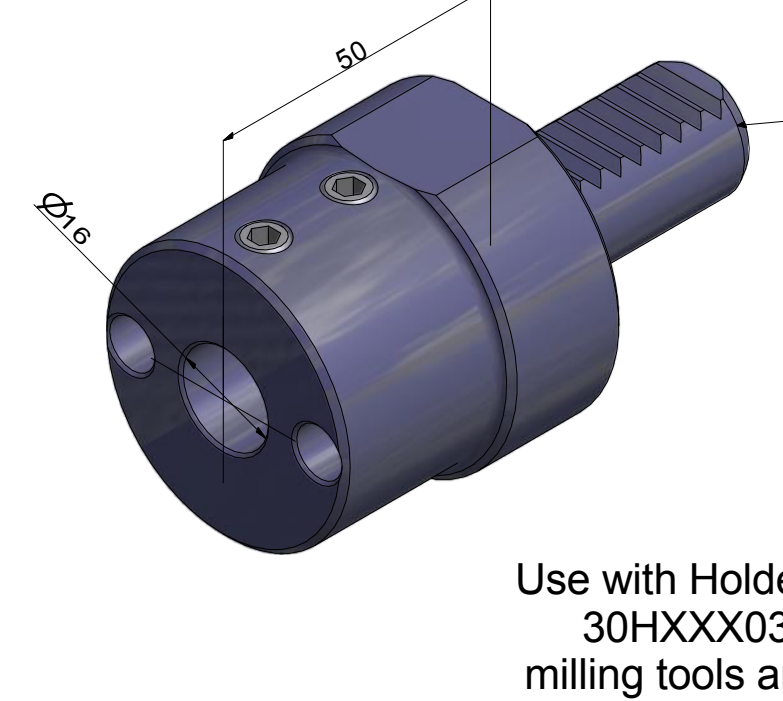
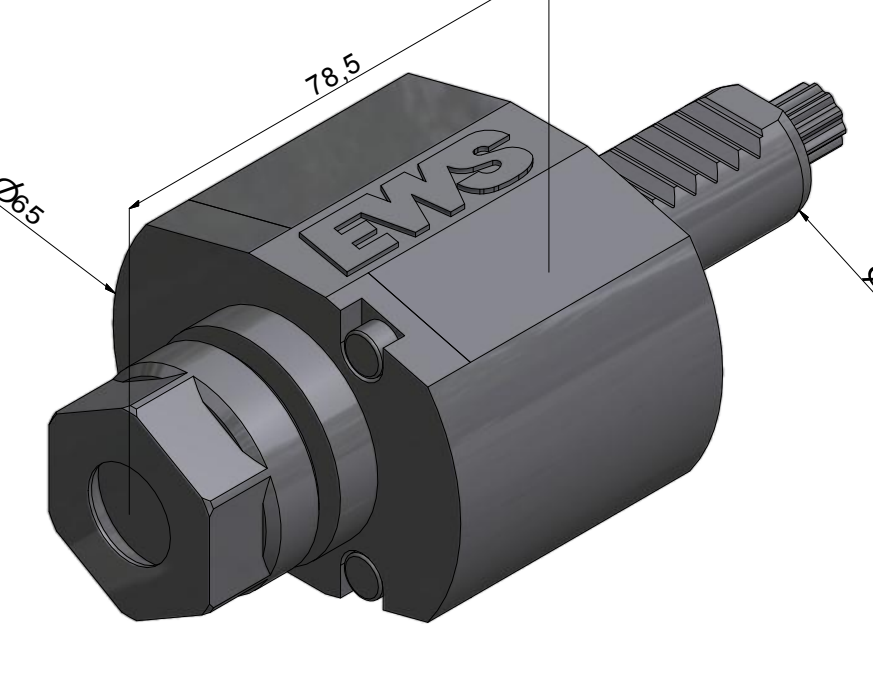
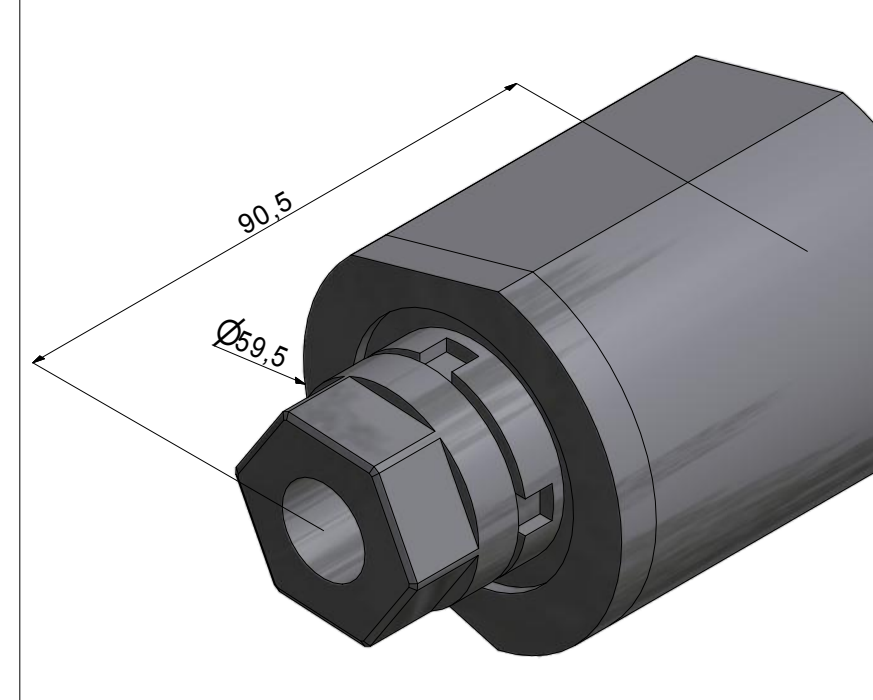
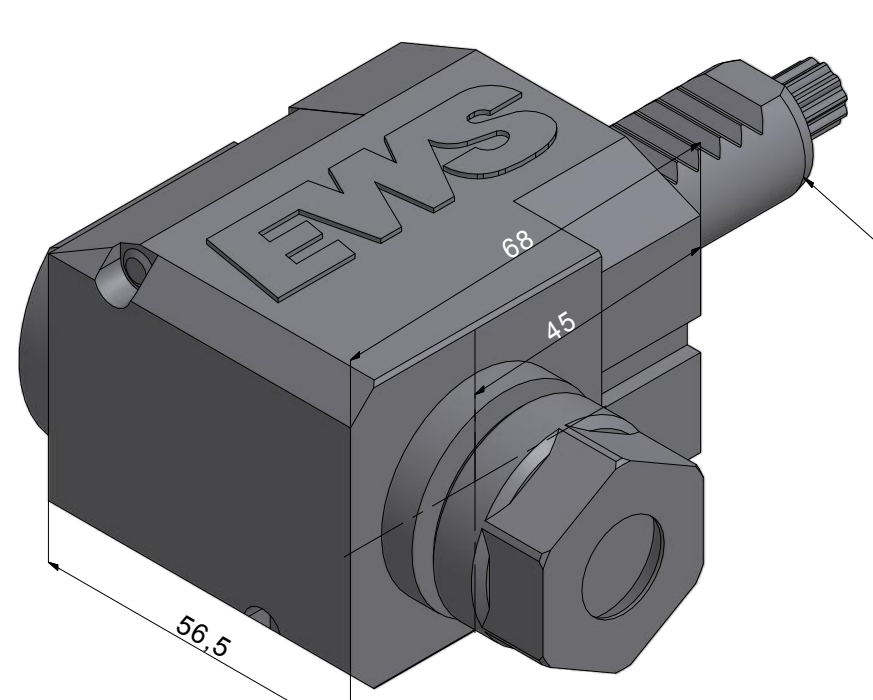
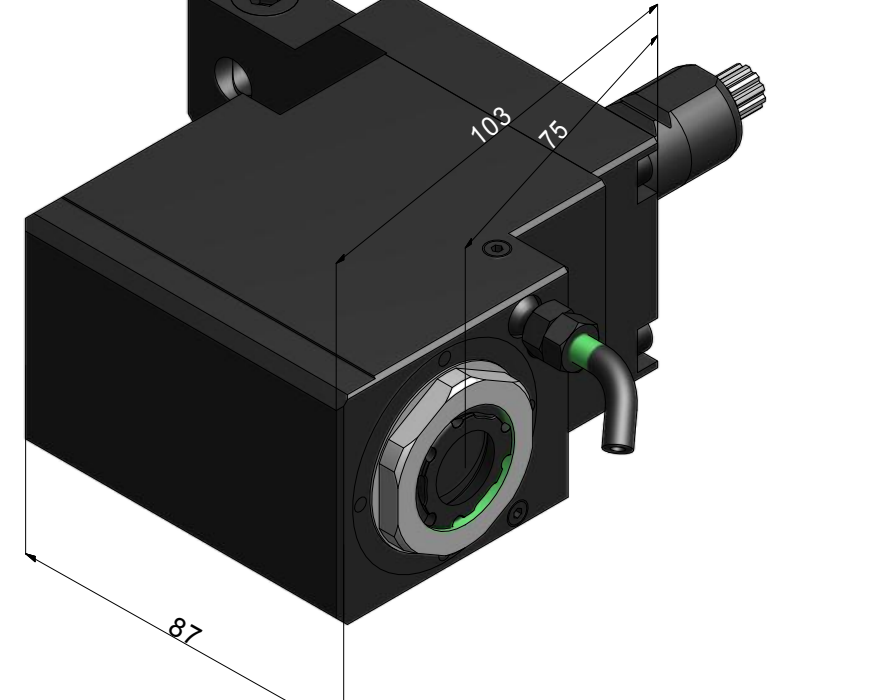
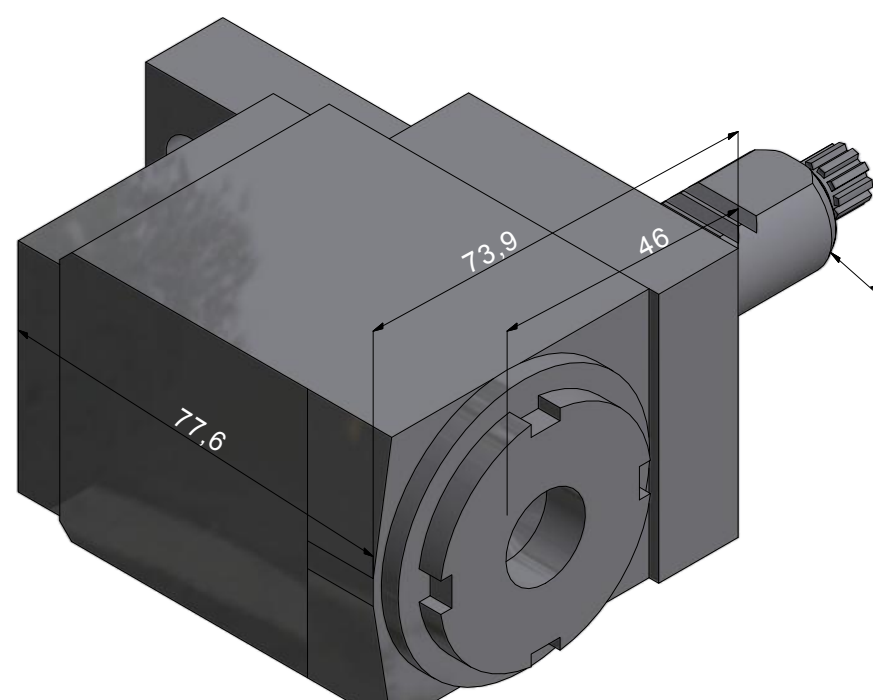
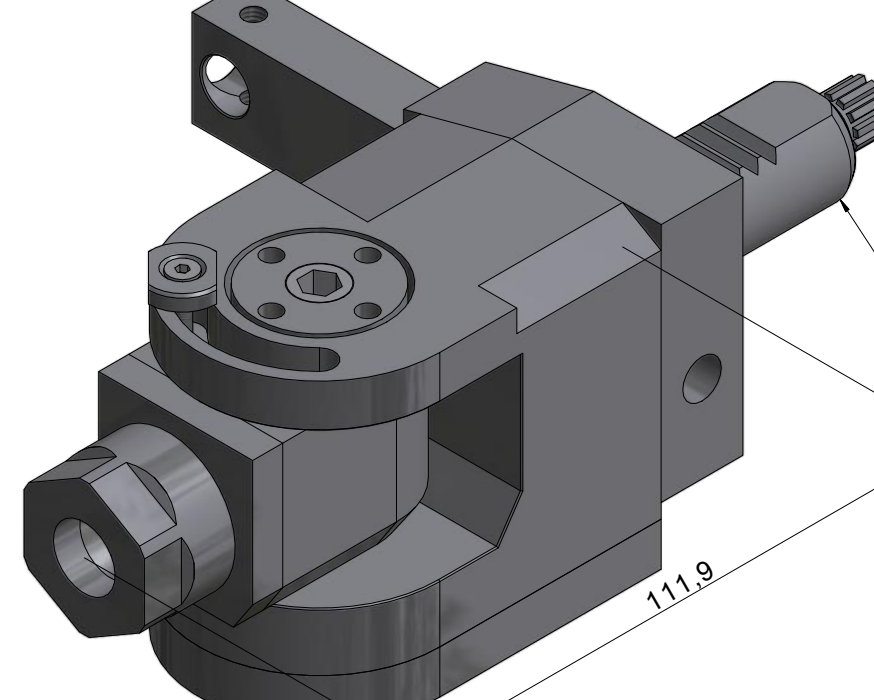


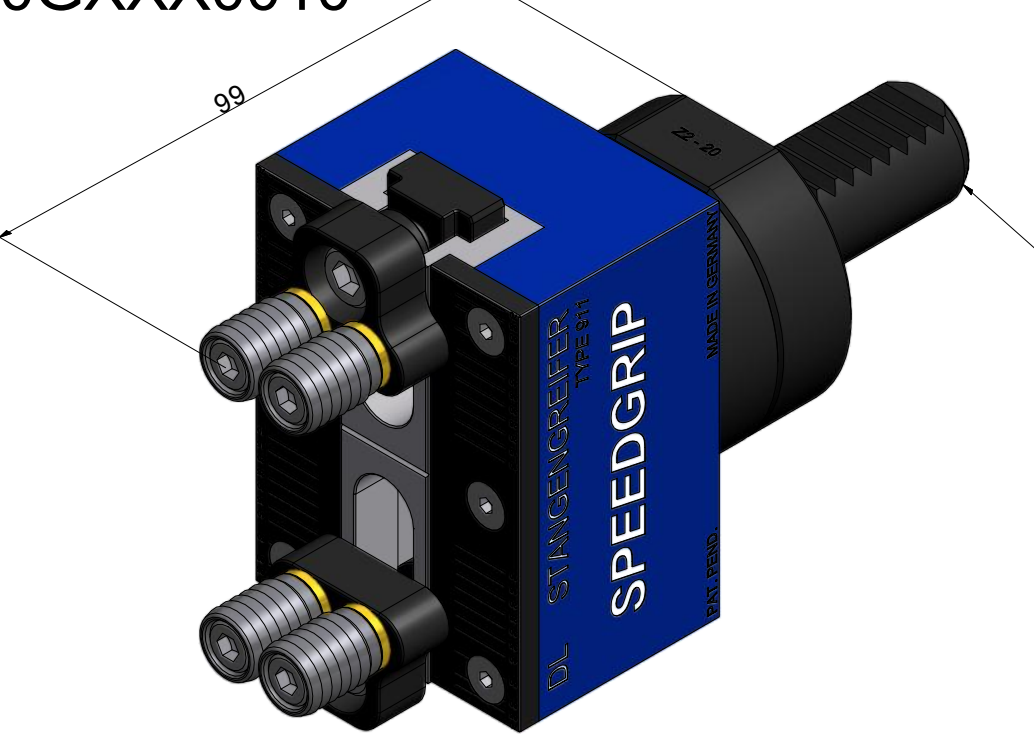
VDI - Holder / VDI Driven Tool / VDI-Gripper Tool overview

<p>30HVDI0010</p> 	<p>30HVDI0020</p> 	<p>30HVDI0030</p> 	<p>30HVDI0090</p> 	<p>30HVDI0093</p>  <p>Use with Holders or Inserts: 30HXXX0320 / 0330 milling tools and drills with shankø 8mm</p>	<p>30HVDI0094</p>  <p>Use with Inserts: milling tools and drills with shankø 10mm</p>	<p>30HVDI0095</p>  <p>Use with Inserts: milling tools and drills with shankø 25mm</p>
<p>30HVDI0096</p>  <p>Use with Inserts: milling tools and drills with shankø 12mm</p>	<p>30HVDI0097</p>  <p>Use with Holders or Inserts: 30HXXX0380 / 0390 milling tools and drills with shankø 16mm</p>					

DRIVEN TOOLS

<p>30HVDI0200</p> 	<p>30HVDI0205</p> 	<p>30HVDI0210</p> 	<p>30HVDI0211</p> 	<p>30HVDI0215</p> 	<p>30HVDI0220</p> 	
--	--	---	--	--	--	--

GRIPPER

<p>30GXXX0010</p> 
--